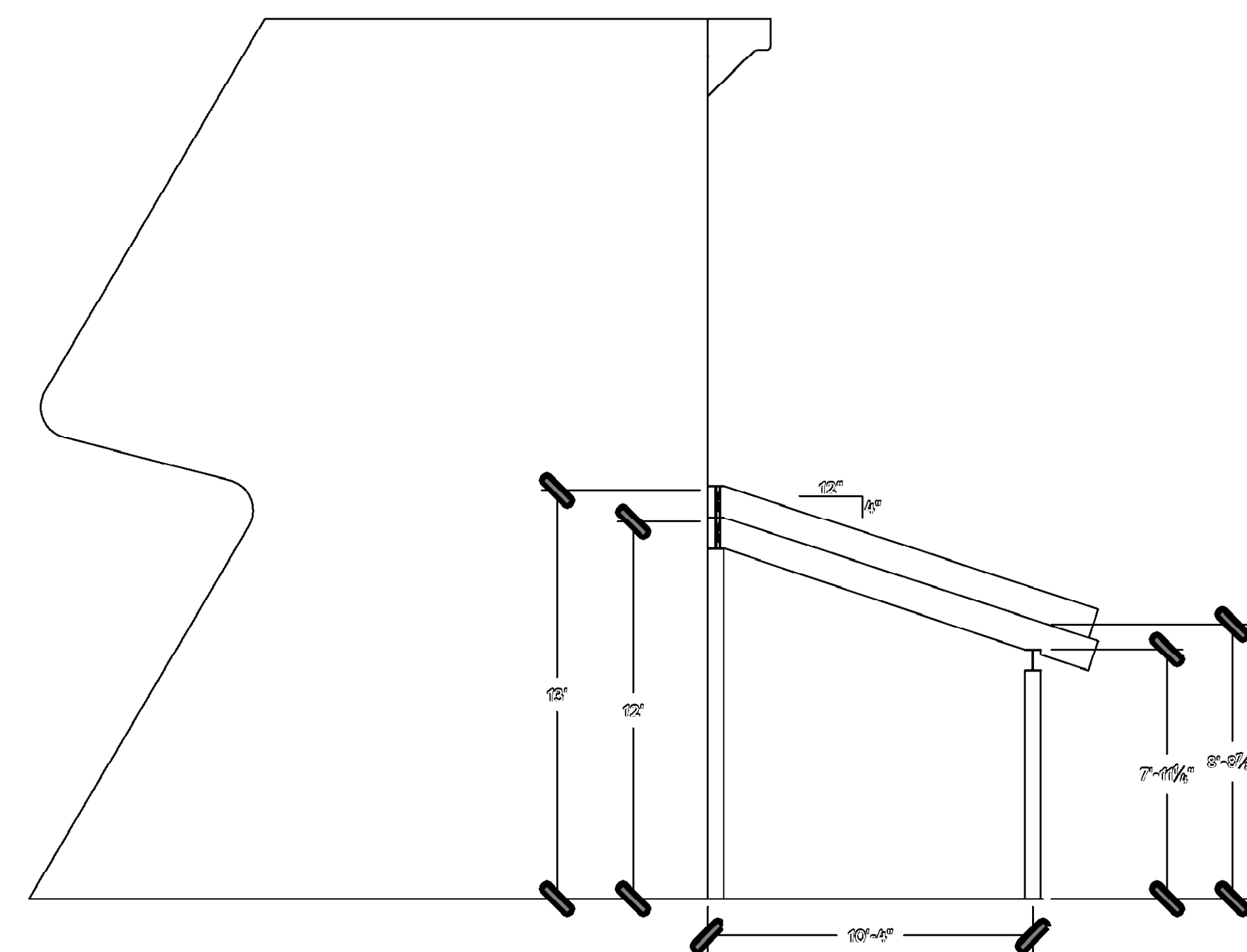
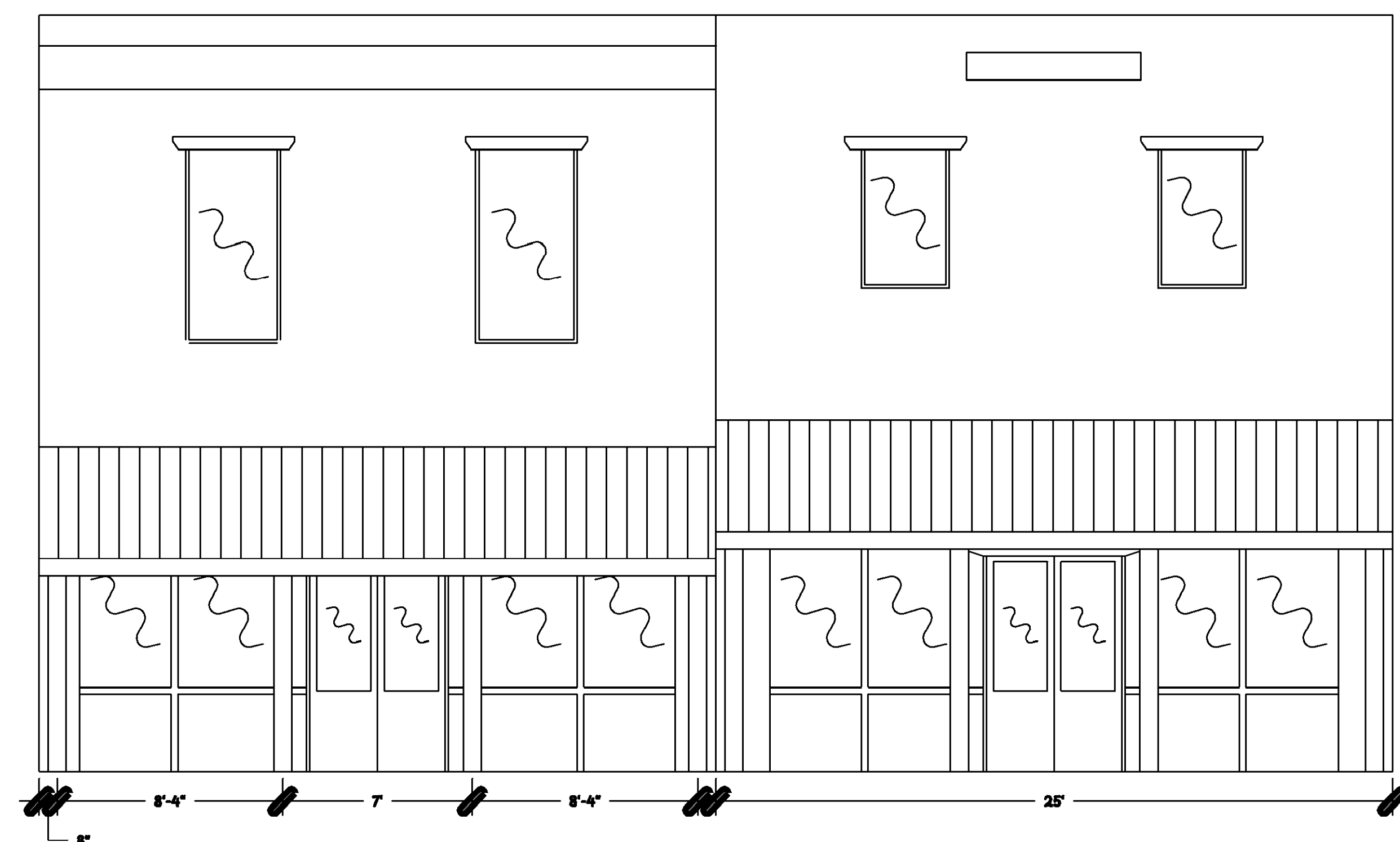


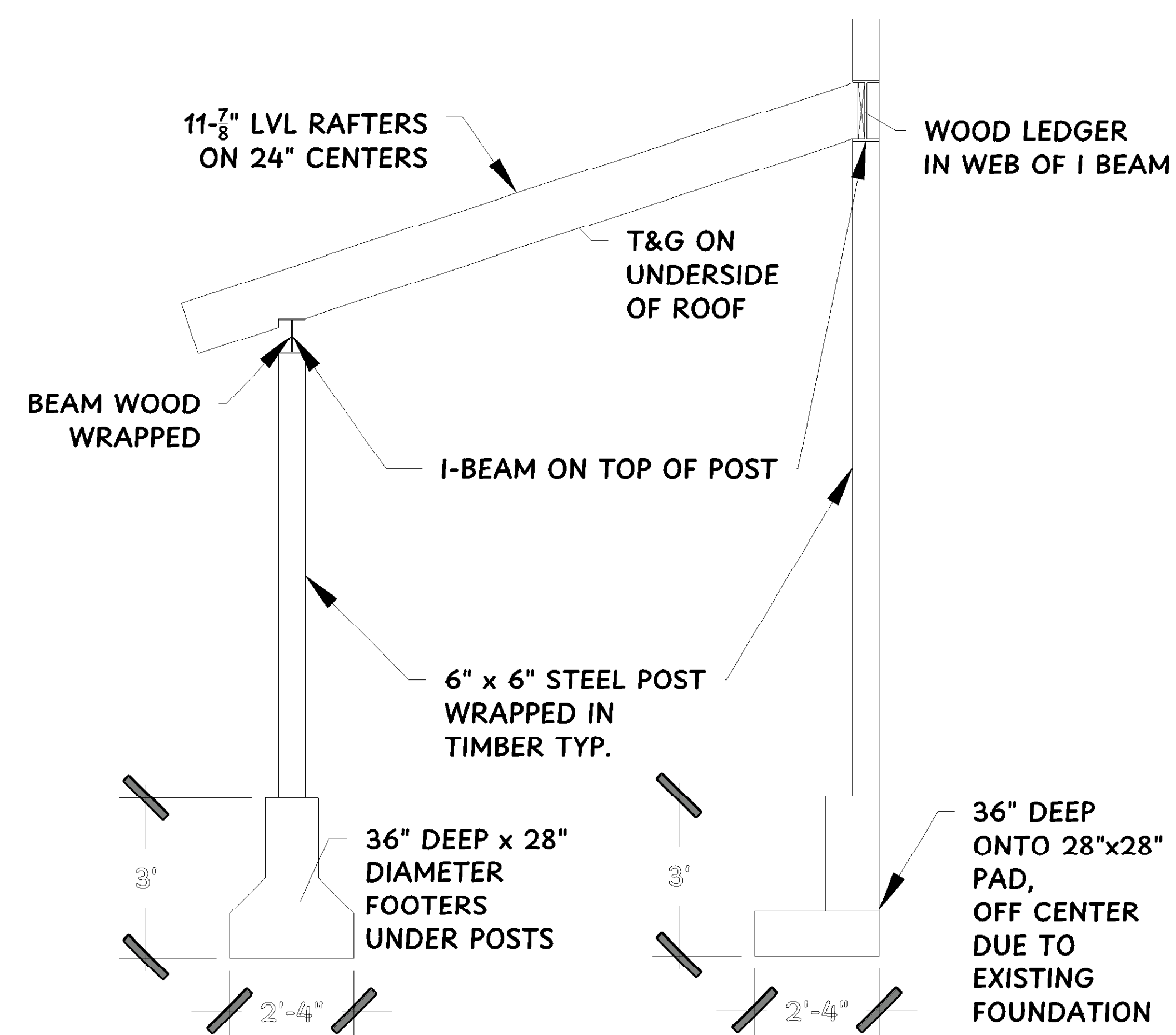
RIGHT ELEVATION



LEFT ELEVATION



FRONT ELEVATION



ROOF SUPPORT DETAIL

SHEET TITLE: **FRONT WINDOW**
 PROJECT: *PITKIN HOTEL*

NOTES:

BY: JOHN DUETSCH
 DATE: 12/19/2023
 SCALE: 1/4" = 1'
 PROJECT #: QCC23008

SHEET: **A-1**
 1 OF 1